

## NB0604/0704-04XX

接线端子-插座

额定电流: 15 A

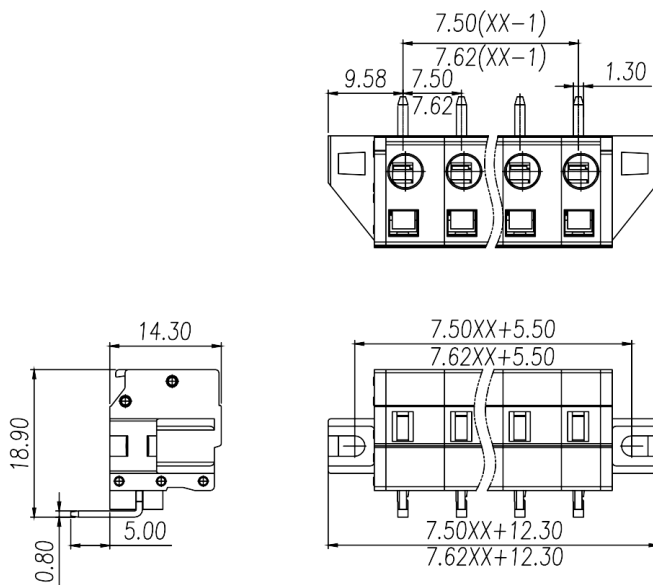
额定电压: 300 V

间距: 7.5 mm/7.62mm

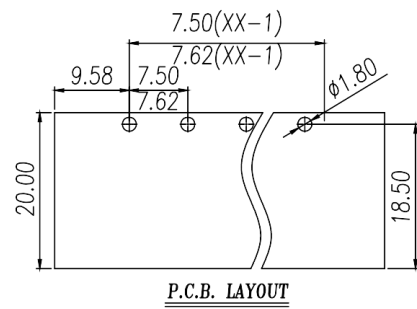
极数: 2P~24P

28-12AWG

尺寸图  
Dimensions



PCB开孔图  
PCB Opening diagram



仅供参考，实际规格依产品工程图为准 版本2.0



## 技术数据-UL/CUL

| 等级 Use Group                     | B        | C    | D    |
|----------------------------------|----------|------|------|
| 额定电压 Rate Voltage                | 300V     | 150V | 300v |
| 额定电流 Rated Current               | 15A      | 15A  | 10A  |
| 接线范围 Wire Range                  | 28-12AWG |      |      |
| 耐电压 Dielectric Voltage-Withstand | 1.6KV    |      |      |

## 技术参数-IEC

|                                    |          |      |      |
|------------------------------------|----------|------|------|
| 过电压类别 Overvoltage Category         | III      | III  | II   |
| 污染等级 Contamination Class           | 3        | 2    | 2    |
| 额定电压 Rated Voltage                 | 320V     | 320V | 630V |
| 额定电流 Rated Current                 | 12A      | 12A  | 12A  |
| 额定冲击电压 Impulse withstand voltage   | 4KV      | 4KV  | 4KV  |
| 导线截面积[硬/柔] Conductor cross section | 0.25-2.5 |      |      |

## 材料 Material

|                                     |              |
|-------------------------------------|--------------|
| 绝缘材料 Insulation Material            | PA66         |
| 阻燃等级 Flame retardant rating         | UL94V-0      |
| 导体材料 Conductor Material             | Copper alloy |
| 导体表面镀层 Plating of conductor surface | Sn plated    |

## 一般参数 Other Data

|          |               |
|----------|---------------|
| 间距 Pitch | 7.5 mm/7.62mm |
|----------|---------------|

---

|          |        |
|----------|--------|
| 极数 Poles | 2P~24P |
|----------|--------|

---

|                       |       |
|-----------------------|-------|
| 剥线长度 Stripping Length | 8-9mm |
|-----------------------|-------|

---

|          |   |
|----------|---|
| 螺丝 Screw | / |
|----------|---|

---

|           |   |
|-----------|---|
| 扭矩 Torque | / |
|-----------|---|

---

|                            |          |
|----------------------------|----------|
| 工作温度 Operating temperature | -40~+105 |
|----------------------------|----------|

---

|                            |         |
|----------------------------|---------|
| 焊锡温度 Soldering temperature | 260 /5S |
|----------------------------|---------|

---

|                     |           |
|---------------------|-----------|
| 引针尺寸 Pin dimensions | 1.3*0.8mm |
|---------------------|-----------|

---

|                          |        |
|--------------------------|--------|
| PCB板孔径 PCB Hole Diameter | Ø1.8mm |
|--------------------------|--------|

---

#### 商业数据

---

|      |                  |
|------|------------------|
| 产品型号 | NB0604/0704-04XX |
|------|------------------|

---

|      |   |
|------|---|
| 产品编号 | - |
|------|---|

---

|      |    |    |    |
|------|----|----|----|
| 包装方式 | 内袋 | 内盒 | 外箱 |
|------|----|----|----|

---



宁波佳绩机电科技有限公司  
佳绩电子科技（宁波）有限公司

地址：宁波市海曙区高桥镇新港路8号

邮编：315000

总机：+86 574-55665696

传真：+86 574-55842261

邮箱：shangwu@nbjiaji.com

Ningbo jiaji Electronics Co.,Ltd

Address: No. 8 Xingang Road, Gaoqiao Town,  
Haishu District, Ningbo City, Zhejiang Province

Zip code: 315000

Switchboard: +86 574-55665696

Fax: +86 574-55842261

E-mail: shangwu@nbjiaji.com