

NBM02-3.81-XXP

接线端子-插座

额定电流: 8A

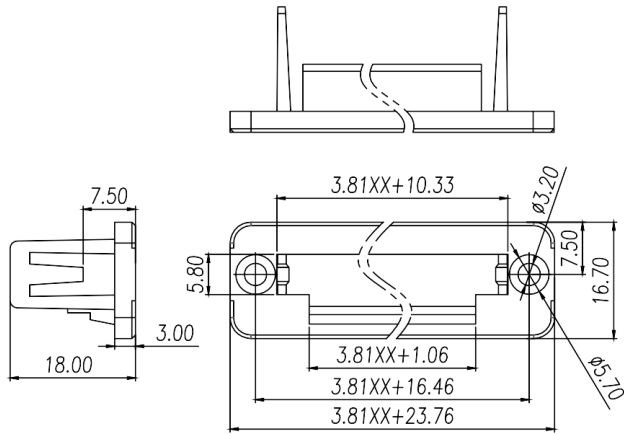
额定电压: 150 V

间距: 3.81mm

极数: 2P~24P

安装: 回流焊

尺寸图 Dimensions



仅供参考，实际规格依产品工程图为准 版本2.0



技术数据-UL/CUL

| | | | |
|-------------------------------------|-------|--------------|-------|
| 等级 Use Group | B | C | D |
| 额定电压 Rate Voltage | 150V | - | - |
| 额定电流 Rated Current | 8A | / | - |
| 接线范围 Wire Range | | / | |
| 耐电压 Dielectric Voltage-Withstand | | 1.3KV | |
| 技术参数-IEC | | | |
| 过电压类别 Overvoltage Category | III | III | II |
| 污染等级 Contamination Class | 3 | 2 | 2 |
| 额定电压 Rated Voltage | 160V | 200V | 320V |
| 额定电流 Rated Current | 8A | 8A | 8A |
| 额定冲击电压 Impulse withstand voltage | 2.5KV | 2.5KV | 2.5KV |
| 导线截面积[硬/柔] Conductor cross section | | / | |
| 材料 Material | | | |
| 绝缘材料 Insulation Material | | PA66 | |
| 阻燃等级 Flame relardant rating | | UL94V-0 | |
| 导体材料 Conductor Material | | Copper alloy | |
| 导体表面镀层 Plating of conductor surface | | Sn plated | |
| 一般参数 Other Data | | | |
| 间距 Pitch | | 3.5mm | |
| 极数 Poles | | 2P~24P | |

| | |
|----------------------------|----------|
| 剥线长度 Stripping Length | / |
| 螺丝 Screw | / |
| 扭矩 Torque | / |
| 工作温度 Operating temperature | -40~+105 |
| 焊锡温度 Soldering temperature | / |
| 引针尺寸 Pin dimensions | / |
| PCB板孔径 PCB Hole Diameter | / |

商业数据

| | | | |
|------|---------------|----|----|
| 产品型号 | NBPCP-3.5-XXP | | |
| 产品编号 | - | | |
| 包装方式 | 内袋 | 内盒 | 外箱 |



宁波佳绩机电科技有限公司 佳绩电子科技（宁波）有限公司

地址：宁波市海曙区高桥镇新港路8号
邮编：315000
总机：+86 574-55665696
传真：+86 574-55842261
邮箱：shangwu@nbjiaji.com

Ningbo jiaji Electronics Co.,Ltd
Address: No. 8 Xingang Road, Gaoqiao Town,
Haishu District, Ningbo City, Zhejiang Province
Zip code: 315000
Switchboard: +86 574-55665696
Fax: +86 574-55842261
E-mail: shangwu@nbjiaji.com