

NB3EDGRC-10.16-XXP

接线端子-插座

额定电流: 55A

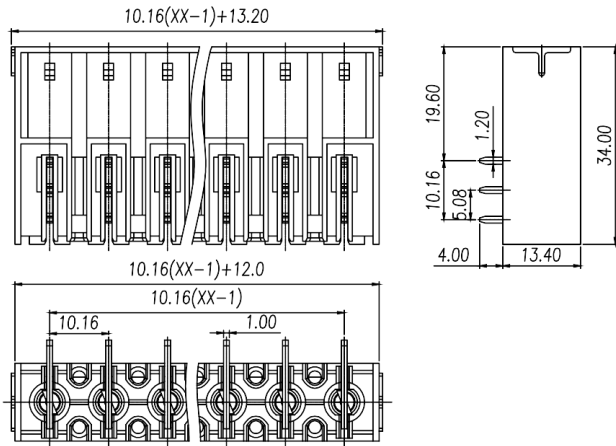
额定电压: 300 V

间距: 10.16mm

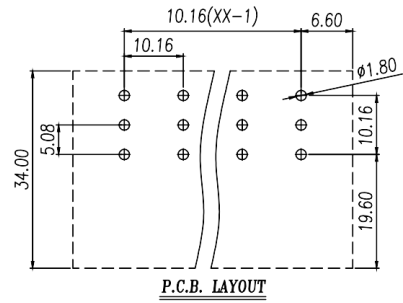
极数: 2P~24P

安装: 波峰焊

尺寸图
Dimensions



PCB开孔图
PCB Opening diagram



仅供参考, 实际规格依产品工程图为准 版本2.0



技术数据-UL/CUL

| | | | |
|-------------------------------------|--------------|-------|-------|
| 等级 Use Group | B | C | D |
| 额定电压 Rate Voltage | 300V | 300V | 300V |
| 额定电流 Rated Current | 55A | 55A | 10A |
| 接线范围 Wire Range | / | | |
| 耐电压 Dielectric Voltage-Withstand | 1.6KV | | |
| 技术参数-IEC | | | |
| 过电压类别 Overvoltage Category | III | III | II |
| 污染等级 Contamination Class | 3 | 2 | 2 |
| 额定电压 Rated Voltage | 1000V | 1000V | 1000V |
| 额定电流 Rated Current | 76A | 76A | 76A |
| 额定冲击电压 Impulse withstand voltage | 8KV | 8KV | 8KV |
| 导线截面积[硬/柔] Conductor cross section | / | | |
| 材料 Material | | | |
| 绝缘材料 Insulation Material | PA66 | | |
| 阻燃等级 Flame relardant rating | UL94V-0 | | |
| 导体材料 Conductor Material | Copper alloy | | |
| 导体表面镀层 Plating of conductor surface | Sn plated | | |
| 一般参数 Other Data | | | |
| 间距 Pitch | 10.16mm | | |
| 极数 Poles | 2P~24P | | |

| | |
|----------------------------|-----------|
| 剥线长度 Stripping Length | / |
| 螺丝 Screw | / |
| 扭矩 Torque | / |
| 工作温度 Operating temperature | -40~+105 |
| 焊锡温度 Soldering temperature | 260 /5S |
| 引针尺寸 Pin dimensions | 1.0*1.2mm |
| PCB板孔径 PCB Hole Diameter | Ø1.8mm |

商业数据

| | | | |
|------|--------------------|----|----|
| 产品型号 | NB3EDGRC-10.16-XXP | | |
| 产品编号 | - | | |
| 包装方式 | 内袋 | 内盒 | 外箱 |



宁波佳绩机电科技有限公司 佳绩电子科技（宁波）有限公司

地址：宁波市海曙区高桥镇新港路8号
邮编：315000
总机：+86 574-55665696
传真：+86 574-55842261
邮箱：shangwu@nbjiaji.com

Ningbo jiaji Electronics Co.,Ltd
Address: No. 8 Xingang Road, Gaoqiao Town,
Haishu District, Ningbo City, Zhejiang Province
Zip code: 315000
Switchboard: +86 574-55665696
Fax: +86 574-55842261
E-mail: shangwu@nbjiaji.com