

## NB127-5.0-XXP

螺钉式接线端子

额定电流: 12A

额定电压: 300 V

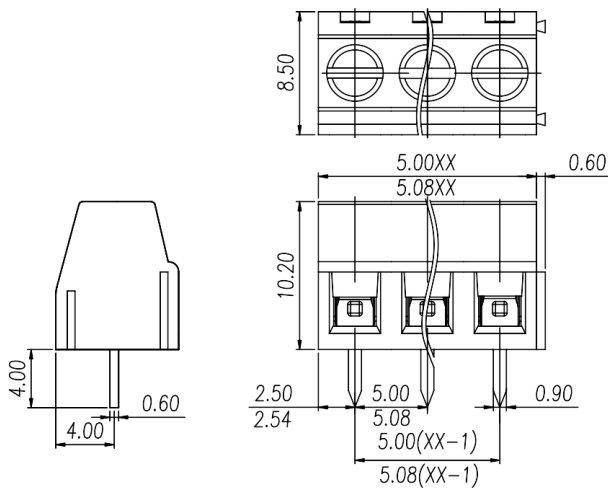
间距: 5.0 mm

使用线径: 26~14AWG

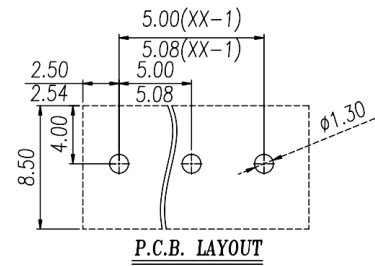
极数: 2P~24P

安装: 波峰焊

尺寸图



PCB开孔图



仅供参考，实际规格依产品工程图为准 版本2.0



## 技术数据-UL/CUL

等级 Use Group	B	C	D
额定电压 Rate Voltage	300V	-	300V
额定电流 Rated Current	12A	-	10A
接线范围 Wire Range	26~14AWG		
耐电压 Dielectric Voltage-Withstand	1.6KV		

## 技术参数-IEC

过电压类别 Overvoltage Category	III	III	II
污染等级 Contamination Class	3	2	2
额定电压 Rated Voltage	250V	400V	630V
额定电流 Rated Current	17.5A	17.5A	17.5A
额定冲击电压 Impulse withstand voltage	4.0KV	4.0KV	4.0KV
导线截面积[硬/柔] Conductor cross section	0.52~1.5mm <sup>2</sup>		

## 材料 Material

绝缘材料 Insulation Material	PA66
阻燃等级 Flame retardant rating	UL94V-0
导体材料 Conductor Material	Copper alloy
导体表面镀层 Plating of conductor surface	Sn plated

## 一般参数 Other Data

间距 Pitch	5.0 mm
----------	--------

---

极数 Poles	2P~24P
----------	--------

---

剥线长度 Stripping Length	5~6mm
-----------------------	-------

---

螺丝 Screw	M2.5
----------	------

---

扭矩 Torque	0.4N.m
-----------	--------

---

工作温度 Operating temperature	-40~+105
----------------------------	----------

---

焊锡温度 Soldering temperature	260 /5S
----------------------------	---------

---

引针尺寸 Pin dimensions	0.6X0.9
---------------------	---------

---

PCB板孔径 PCB Hole Diameter	Ø1.3
--------------------------	------

---

## 商业数据

---

产品型号	NB127-5.0-XXP
------	---------------

---

产品编号	-
------	---

---

包装方式	内袋	内盒	外箱
------	----	----	----

---



宁波佳绩机电科技有限公司  
佳绩电子科技（宁波）有限公司

地址：宁波市海曙区高桥镇新港路8号

邮编：315000

总机：+86 574-55665696

传真：+86 574-55842261

邮箱：shangwu@nbjiaji.com

Ningbo jiaji Electronics Co.,Ltd

Address: No. 8 Xingang Road, Gaoqiao Town,  
Haishu District, Ningbo City, Zhejiang Province

Zip code: 315000

Switchboard: +86 574-55665696

Fax: +86 574-55842261

E-mail: shangwu@nbjiaji.com